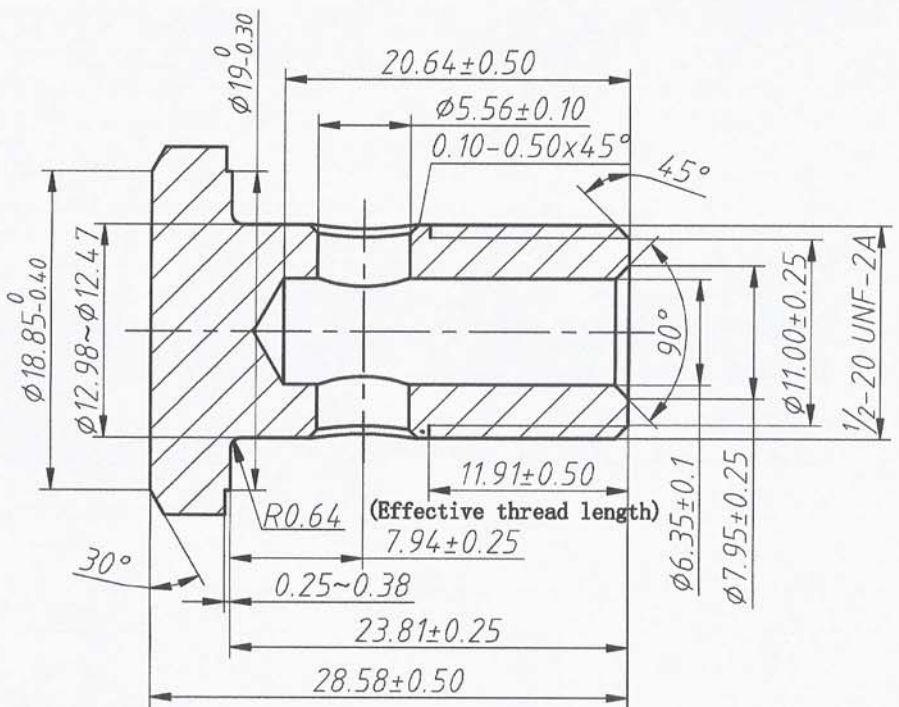
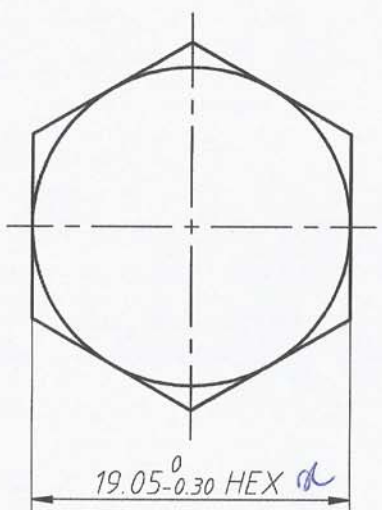


Chamfer of the end of Dia. 5.56,
the smallest part of the whole
chamfer is (0.1-0.5) x 45 degree
Dia. 5.56 孔边缘倒角, 一圈倒角的
最小处为 (0.1-0.5) x 45度。

REV 更改号	DATE 日期	REVISION DETAILS 更改内容	APPD 审核并批准
A	Aug. 25. 2020	Production issue	Zhang



UNLESS SPECIFIED
ALL DIMENSIONS IN mm,
MACHINED SURFACES Ra=3.2um,
ANGLE TOLERANCES ±5°,
Other tolerance except angles,
in accordance with
GB/T1804-2000(ISO2768-1)-m
and GB/T1184-1996(ISO2768-2)-m

其它事项,
图示尺寸单位为mm,
未注机加工表面粗糙度 Ra=3.2um,
未注角度公差 ±5°,
其它未注公差 (除角度外) 均按:
GB/T1804-2000(ISO2768-1)-m 和
GB/T1184-1996(ISO2768-2)-m

Zhejiang Gaocheng Autoparts Co.,Ltd	
PART No 零件名	41450-BBOLT-5
SCALE:	批准 Zhang
DATE:	日期
APPD:	制图 余德胜
DRN:	审核 詹永斌
NTS	2020.08.25

MATERIAL	Chinese steel 45	材质 45#
FINISH	Remove all sharp edges,burrs,slivers and swarf, break all edges 0.127-0.254mm. ZINC PLATING WITH 8um MICRONS MINIMUM PLATING THICKNESS AND TRIVALENT CHROMATE PASSIVATION AND WITHSTAND 96 HRS TO WHITE / 144 HS TO RED RUST IN SALT SPRAY TEST.	去除所有毛刺, 铁屑等残留物, 锐边倒钝0.127-0.254mm. 镀锌, 三价铬钝化, 银白色, 盐雾试验96小时无白斑, 144小时无红锈, 镀锌层厚度大于8um.